

DELHI TRANSCO LIMITED

(Regd. Office: Shakti Sadan, Kotla Road, New Delhi-110002)

AGENDA FOR DELHI OCC MEETING NO. 08/2024-25

Date : 26.11.2024
Time : 11:00 A.M
Venue : In O/o-GM(O&M)-I, Delhi Transco Ltd.,
 220 KV Sub-Stn Park Street Building,
 New Delhi-110001

1. Confirmation of minutes of 7th OCC meeting (2024-25) held on 23.10.2024.

The 7th Delhi OCC meeting (2024-25) was held on 23.10.2024 physically in the O/o GM(T)O&M-I in accordance with the agenda circulated vide letter dt:15.10.2024. Minutes of the OCC meeting were issued on 28.10.2024 and were uploaded on DTL website (http://dtl.gov.in/Content/369_1_OCC-Meeting2024.aspx)

(OCC may deliberate)

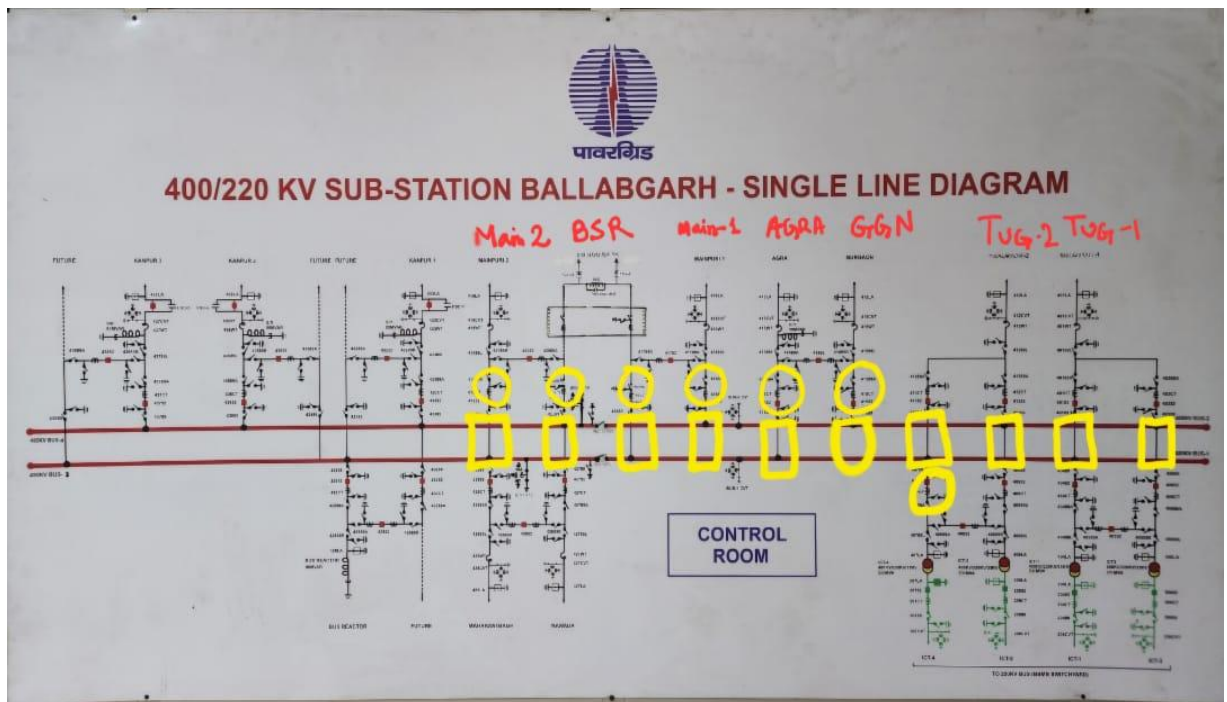
2. DTL Agenda: Proposed planned shutdowns for the month of December-2024.

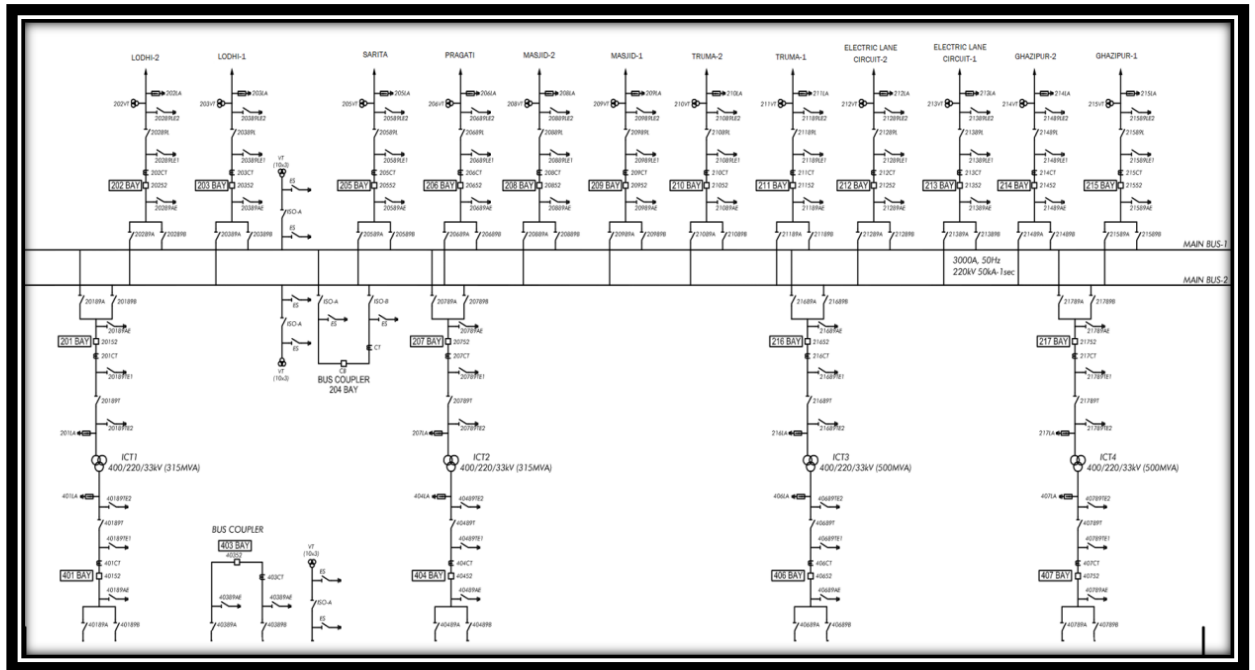
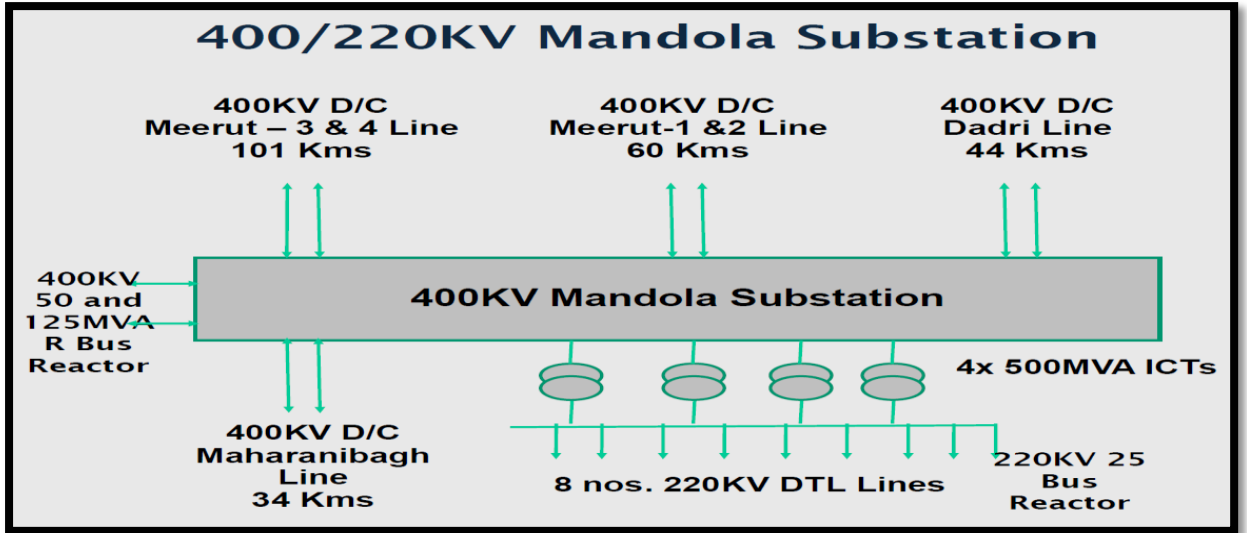
Proposed planned shutdowns for the month of December-2024 (Annexure-I).

(OCC may deliberate)

3. PGCIL Agenda: Requirement of complete 400 kV Bus-1 &2 shutdown at Mandola & Ballabgarh SS for replacement of damaged sections 400 kV jack buses

400/220 kV Ballabgarh & Mandola Substations were been commissioned in 1990 & 1991 respectively with D-type layout. Most of the equipment's at above substations has been replaced on account ageing however jack buses of 400 KV Bus-1 & 2 has not been replaced due to requirement of complete shutdown of both 400 kV buses.







Over period of years, damages in the jack bus conductors has been attended by repair sleeves & parallel support however the damaged portions requires complete replacement in view of peak loading in summers to avoid any risk of breakdown.

Shutdown of complete 400 kV Bus-1 & 2 sections at Mandola & Ballabgarh for 06 days on daily basis/03 days on continuous basis is proposed for replacement of jack bus conductors. The loading to Delhi & Haryana through Mandola & Ballabgarh shall be Nil during above proposed shutdown.

The matter was discussed in 225th OCC also and it was directed to take up the matter with Delhi & Haryana SLDC for load management & consent of above proposed shutdown.

In view of above, it is requested to allow the shutdown of 400 kV buses on continuous basis for a period of 04 days OR daily basis for 08 days. The tentative schedule for carrying out above replacement work will be in Dec'2024is as detailed below:

S.No	Name of elements	From (date & time)	To (date & time)	Basis*	Reason	Remarks
1	400 kV Bus-1 & 2 sections at Mandola	16-12-2024 0800Hrs	19-12-2024 1800Hrs	Continuous	For urgent replacement of the damaged 400 kV jack bus conductors	OR on Daily basis from 16-12-2024 to 23.12.2024
2	400 kV Bus-1 & 2 sections at Ballabgarh	20-12-2024 0800Hrs	23-12-2024 1800Hrs	Continuous	for urgent replacement of the damaged 400 kV jack bus conductors	OR on Daily basis from 20-12-2024 to 27.12.2024

(OCC may deliberate)

4. Long/recent Outage/breakdown of elements in Delhi power system.

Members may update the latest status of following Long/Recent Outage/Breakdowns of elements in the Delhi Power system as under (Breakdown report as on 14 -10-24):

S. No.	Element Name	Utility	Date of Outage	Date of Restoration	Status of Outage
1.	66 kV Mundaka to Nangloi	BRPL	12-07-24		Y Phase cable faulty
2.	33 kV IP to Bay No.18 DDU Marg	BYPL	12-11-24		R & B Phase single Cable Faulty
3.	66kV Park Street-DMRC CKT-I & II	DMRC	19-10-21		Shutdown for grid shifting work at DMRC end
4.	220/33 kV 100 MVA Tx-II at 220 kV Patparganj	DTL	12-07-24		tripped on HV REF, DIFF,SPR,BUCCH LOZ PRV
5.	220 kV Maharani Bagh – Masjid Moth Ckt-II	DTL	29-01-23		Cable caught fire.
6.	220 kV Maharani Bagh – Masjid Moth Ckt-I	DTL	18-05-24		
7.	100 MVA Tx-II at 220 kV IP	DTL	05-07-24		Tripped on Bucholz Relay
8.	220 kV HCML-Maharani Bagh Ckt-II at 220 kV HCML	DTL	07-09-24		Tripped on 86-A&B, differential Relay, B-Phase trip
9.	220/66kV 100MVA Tx-I at 220kV PPK-I	DTL	22-08-24		Tripped off due to DIFF. Prot. A,B,C both side.
10.	160 MVA Tx-II (220/66 kV) at 220 kV Rohini-2	DTL	11-11-24		Caught On Fire

On table Agenda:

1. PGCIL Agenda: Retrofitting work to be carried out at Bawana substation (400 kV ISOLATOR Change)

400 kV Isolator retro fitment at DTL Bawana

Sl no	Equipment	Element	Date From	Date To	Remarks
1	ICT -III Bay	589A	10-12-2024	11-12-2024	
2	ICT -III Bay	689A	12-12-2024	14-12-2024	
3	ICT -III Bay	589	16-12-2024	17-12-2024	Bus-I Shut Down
4	ICT -III Bay	789	18-12-2024	19-12-2024	Bus-II Shut Down
5	ICT -III Bay	789L	20-12-2024	21-12-2024	ICT-III Shut Down
6	Bay 13 Dipalpur	1389A	23-12-2024	24-12-2024	Line Shut Down

7	Bay 14 Dipalpur	1489A	26-12-2024	27-12-2024	Line Shut Down
8	Bay 13 Dipalpur	1389L	28-12-2024	29-12-2024	Line Shut Down
	In 2025 Jan				
9	Bay 14 Dipalpur	1489	02-01-2025	03-01-2025	Bus-II Shut Down
10	Bay 13 Dipalpur	1389	04-01-2025	05-01-2025	Bus-I Shut Down
11	Bay 11 Abdullapur	1189A	06-01-2025	07-01-2025	Line Shut Down
12	Bay 12 Abdullapur	1289A	08-01-2025	09-01-2025	Line Shut Down
13	Bay 11 Abdullapur	1189L	10-01-2025	11-01-2025	Line Shut Down
14	Bay 12 Abdullapur	1289	12-01-2025	13-01-2025	Bus-II Shut Down
15	Bay 11 Abdullapur	1189	14-01-2025	15-01-2025	Bus-I Shut Down

(OCC may deliberate)
